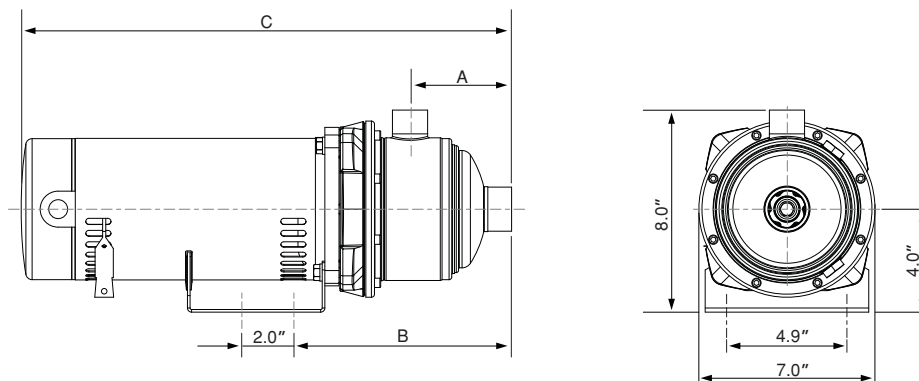




The new FPS MH Series, Multi-Stage Booster Pump is designed to meet your pressure boosting needs. The stainless steel construction offers high performance in a wide variety of applications. The MH Series is offered in three flow rates and five different horsepower sizes to make sure you can have the right pump to fit your application.

Ordering Information

GPM	HP	Stage	SF	SF Amps	Voltage	Model No.	Order No.	Wt. (lbs.)
15	0.5	2	1.30	9.4/4.7	115/230	15FMH05S2	96061500	22
	0.75	3	1.27	12.4/6.2	115/230	15FMH07S3	96061501	25
	1	4	1.25	14.8/7.4	115/230	15FMH1S4	96061502	29
	1.5	5	1.10	19.9/9.95	115/230	15FMH15S5	96061503	35
	2	6	1.10	24.0/12.0	115/230	15FMH2S6	96061504	40
30	0.75	2	1.27	12.4/6.4	115/230	30FMH07S2	96063000	25
	1	3	1.65	19.9/9.95	115/230	30FMH1S3	96063001	33
	1.5	4	1.47	24.0/12.0	115/230	30FMH15S4	96063002	37
	2	5	1.25	24.0/12.0	115/230	30FMH2S5	96063003	41
45	1.5	2	1.10	24.0/12.0	115/230	45FMH15S2	96064500	33
	2	3	1.25	24.0/12.0	115/230	45FMH2S3	96064501	39



Dimensional Data

GPM	Stage	A	B	C
15	2	4.06	8.75	16.75
	3	4.06	8.75	17.50
	4	5.00	9.69	19.07
	5	5.94	10.64	20.81
	6	6.89	11.58	22.59
30	2	4.06	8.75	17.50
	3	4.06	8.75	19.00
	4	5.00	9.69	20.70
	5	5.94	10.64	21.64
45	2	4.65	9.34	19.67
	3	4.65	9.34	20.50

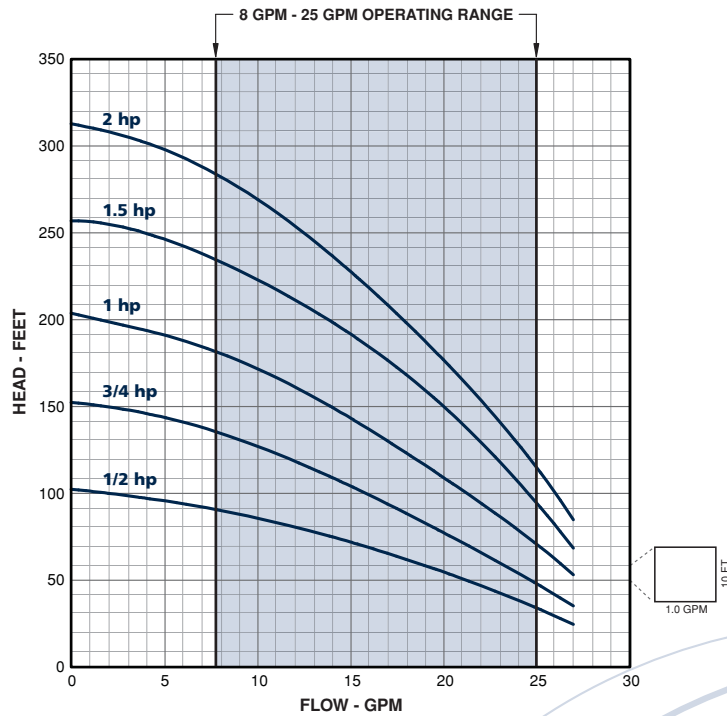
Centrifugal Pumps

MH Series

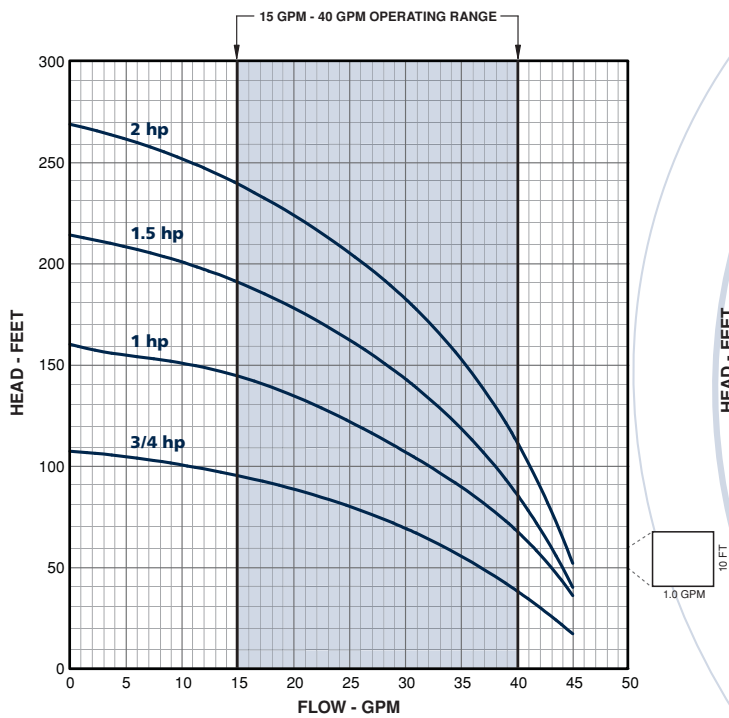
FPS

Performance Curves

15 GPM



30 GPM



45 GPM

