

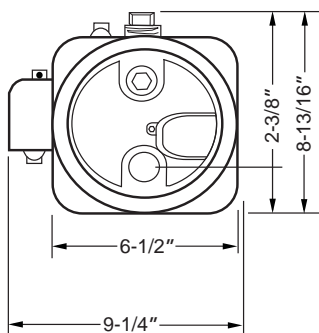
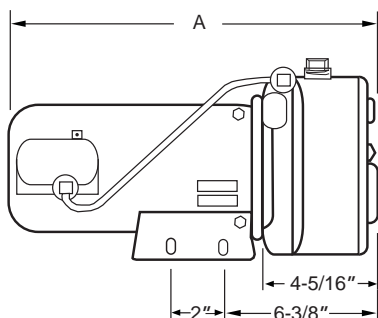
Non-Submersible Pumps

Jet Pumps - Convertible

CWJ Series



NRTL/C
CSA 108
UL 778



CWJ Series

Features:

- Thermoplastic impeller assures increased hydraulic efficiency.
- Thermoplastic diffuser is molded for efficiency and dependability.
- Cast-iron case for maximum durability.
- Square-flange motor with threaded shaft for direct mounting of impeller.
- Mechanical shaft seal ensures leakproof fit.
- Pressure switch is factory installed at 20/40 psi.
- “Convertible” hardware includes plugs, by-pass plug, and shallow well injector (screw-in injector allows for easy conversion from shallow to deep well installation).
- Pressure gauge can be ordered separately.
- Connections
 - 1-1/4" NPT suction
 - 1" NPT discharge
 - 1" NPT drive line
- Maximum temperature 140 °F/60 °C.

Dimensions		
Model	HP	A
FCWJ05CI-C	1/2	15-13/16"
FCWJ07CI-C	3/4	16-5/16"
FCWJ1CI-C	1	16-3/16"

Note: Dimensions will vary according to motor manufacturer.

Non-Submersible Pumps

Jet Pumps - Convertible

CWJ Series Ordering Information (See pgs. 2-3 for model number explanation)

FCWJ Series Convertible Jet Pumps								
Model	HP	Suction x Discharge	Voltage	Pump Unit		Deep Well Injector		
				Order No.	Wt.	Suction Lift	Order No.	Wt.
FCWJ05CI-C	1/2	1-1/4" x 1"	115/230	91050005	36	30 - 60 ft	147E1118	7
						60 - 90 ft	147E1115	7
FCWJ07CI-C	3/4	1-1/4" x 1"	115/230	91050007	38	30 - 60 ft	147E1123	7
						60 - 90 ft	147E1118	7
FCWJ1CI-C	1	1-1/4" x 1"	115/230	91050010	41	30 - 60 ft	147E1123	7
						60 - 90 ft	147E1118	7
FCWJH05CI-C	1/2	1-1/4" x 1"	115/230	91050050	36	High head configuration FCWJH pumps are for shallow well application only.		
FCWJH07CI-C	3/4	1-1/4" x 1"	115/230	91050075	38			
FCWJH1CI-C	1	1-1/4" x 1"	115/230	91050100	41			

- Notes:** 1. Order deep well injector separately.
 2. Minimum inside well diameter requirement of 4" for deep well injectors.
 3. Weight in pounds.

Optional Injector for High Head Performance		
Injector Ordering No.	Model No.	HP
18-1200-12-R	FCWJ05CI-C	1/2
18-1247-01-R	FCWJ07CI-C	3/4
18-1247-01-R	FCWJ1CI-C	1

Pressure Gauge	
Ordering No.	Pressure Reading
9193-4018	0-100 PSI

Required for Deep Well Installations:



Parallel Pipe Injectors