

Shallow Well Jet Pump



FPS

SWJ Series

Features:

- Available in non-corrosive thermoplastic or cast iron models.
- Replaceable in-line nozzle/venturi design for maximum hydraulic efficiency and ease of service.
- Self-cleaning, anti-clogging injector screen.
- Thermoplastic impeller and diffuser ensure increased hydraulic performance.
- Floating stainless steel eye seal for maximum performance and efficiency.
- Square-flange mounting provides easy serviceability without disturbing the plumbing.
- Built-in drain plug for easy winterizing and servicing.
- Mechanical shaft seal allows positive protection against leaking.
- Order pressure gauge separately.
- Pressure switch provided, factory set at 20/40 PSI.
- Handles water temperatures up to 120 °F and working pressure up to 75 PSI.
- 1" FNPT discharge, 1-1/4" FNPT suction.
- Dual Voltage: 115/230



FPS Shallow Well Jet Pump

SWJ Series

These jet pumps are easily serviced and economically priced. Available in 1/2 and 3/4 hp models. They are a great choice for any of the the following applications:

Shallow Well

Aqua Culture

Poultry House Mist Sprayer

Fountain and Water Features

Marine Use

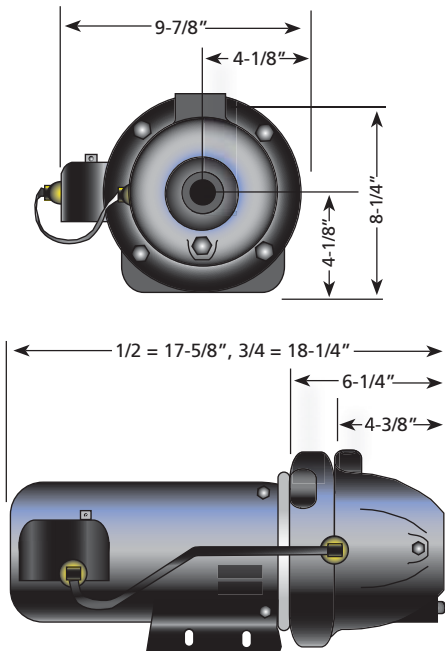
Booster Pump

Chemical/Fertilizer Transfer Pump

(Consult factory for specific applications.)

Performance

HP	Total Suction Lift ft.	Discharge Pressure - PSI								Shut-off Pressure PSI
		30	35	40	45	50	55	60	65	
		Gallons per Minute								
1/2	5	12.0	10.7	9.1	7.2	4.9	2.8	0.9	-	62
	10	-	10.0	8.4	6.3	3.9	1.9	-	-	60
	15	-	-	7.7	5.3	3.0	0.9	-	-	57
	20	-	-	6.4	4.3	2.2	0.2	-	-	55
	25	-	-	5.0	3.3	1.4	-	-	-	53
3/4	5	-	16.0	14.4	12.6	10.6	8.3	5.0	1.8	68
	10	-	-	13.5	11.8	9.7	6.9	3.6	0.2	65
	15	-	-	-	11.0	8.8	5.4	2.2	-	63
	20	-	-	-	9.0	7.2	3.9	0.8	-	60
	25	-	-	-	-	5.6	2.3	-	-	58



Note: Dimensions will vary according to motor manufacturer.



Franklin Electric

400 East Spring Street, Bluffton, IN 46714

Tel: 260.824.2900 • Fax: 260.824.2909

www.franklin-electric.com